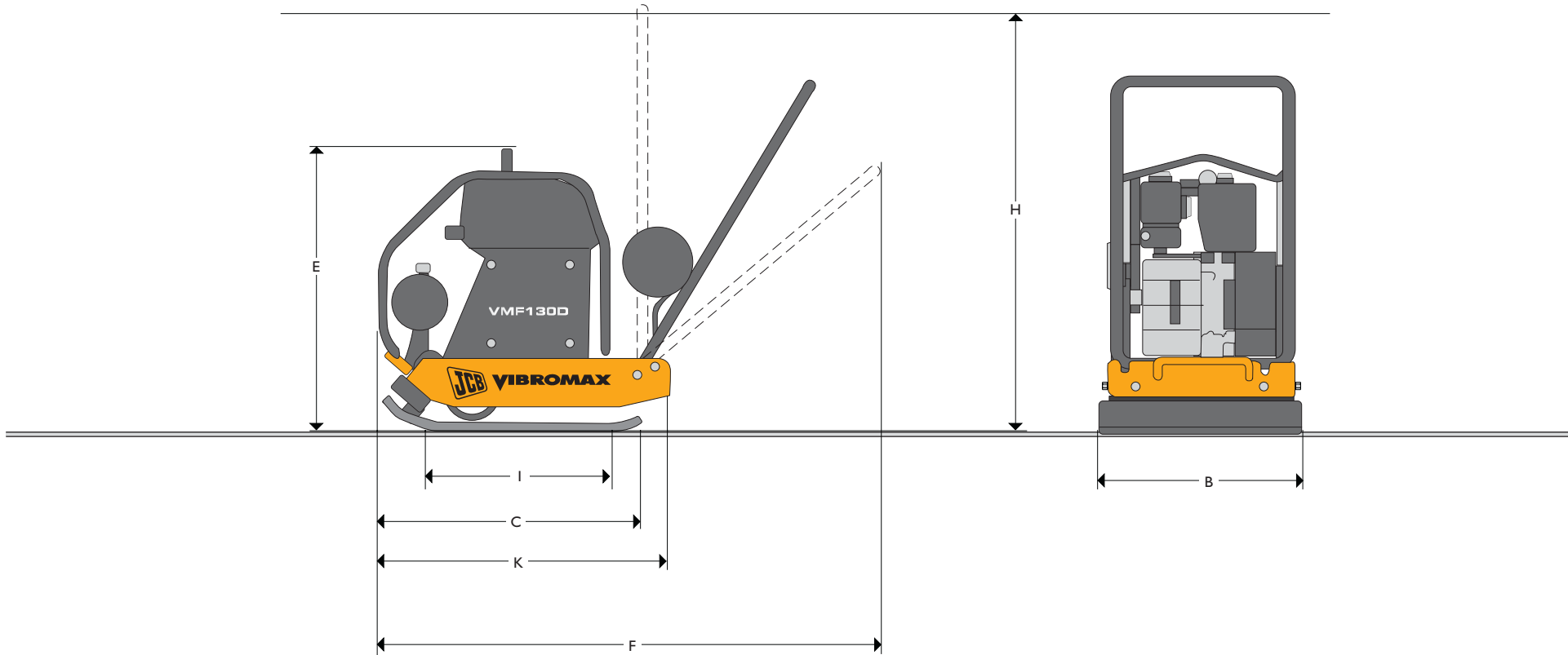




JCB VIBROMAX – COMPACTION EQUIPMENT SINGLE DIRECTION PLATE COMPACTOR VMF130D



MAX. PLATE WIDTH: 500mm (19.7in)
MAX. OPERATING WEIGHT: 130kg (287lb)



STATIC DIMENSIONS

| Dimensions in millimetres (in) | |
|-----------------------------------|-------------|
| B Overall width | 500 (19.7) |
| C Plate length | 650 (25.6) |
| E Height without guide bar | 690 (27.2) |
| F Total length | 1250 (49.2) |
| H Total clearance | 1070 (42.1) |
| I Contact length | 405 (15.9) |
| K Length without guide bar | 740 (29.1) |

OPERATING DATA

| | | |
|----------------------------------|-------------------------------|-------------|
| Operating weight (CECE) | kg (lb) | 130 (287) |
| Centrifugal force | kN (lbf) | 18 (4046) |
| Contact area | cm ² (sq.in) | 2025 (314) |
| Centrifugal force / contact area | N/cm ² (lbf/sq.in) | 9 (13.1) |
| Exciter frequency | Hz (vpm) | 90 (5400) |
| Compaction depth up to | cm (in) | 30 (11.8) |
| Working speed | m/min (yd/min) | 22 (24.1) |
| Compacted area up to | m ² /h (sq.yd/h) | 660 (421.8) |



JCB VIBROMAX – COMPACTION EQUIPMENT SINGLE DIRECTION PLATE COMPACTOR VMF130D



ENGINE

Single-cylinder engine, air-cooled four-stroke diesel engine.

| | | |
|------------------------|------------------------------------|-----------------|
| Make | | HATZ |
| Model | | I B 20 |
| Piston displacement | cm ³ (in ³) | 232 (14.2) |
| Performance – DIN 6271 | kW (hp) | 3.1 (4.2) |
| Operating speed | (rpm) | 3000 |
| Starting device | | Recoil starter |
| Air cleaner | | Dry air cleaner |
| Fuel filter | | Cartridge |
| Fuel consumption | l/h (US gal/h) | 1.2 (0.32) |

SERVICE CAPACITIES

| | | |
|-------------------------------------|-----------------|-------------|
| Fuel | litres (US gal) | 3.2 (0.85) |
| Engine oil (engine) | litres (US qt) | 1.0 (1.06) |
| Engine oil (exciter) | litres (US qt) | 0.15 (0.16) |
| Sprinker water (optional equipment) | litres (US gal) | 5 (1.3) |

PROPULSION

See exciter drive.

EXCITER DRIVE

Centrifugal clutch and V-belt drive.

EXCITER

Single-shaft circular exciter.



JCB Vibromax Compaction Equipment GmbH, PO Box 230149, 40087 Düsseldorf, Germany, Erkrather Straße 343, 40231 Düsseldorf, Germany. Tel: +49 (0) 2 11 - 9 86 63. Fax: +49 (0) 2 11 - 9 86 65 55. Web: <http://www.jcbvibromax.de>

JCB Vibromax America Inc, 2823 Carlisle-Avenue, Racine, WI, 53404, USA. Tel: +1 262-637-8111. Fax: +1 262-637-8211.

JCB Vibromax Singapore, Representative Office, 72 Pasir Ris Heights, Singapore 519279. Tel: +65 6583 8297. Tel: +65 6583 8301.

JCB cares for the environment. This paper has been produced without the use of elemental chlorine chemicals in the bleaching process.

JCB reserves the right to change specifications without notice. Illustrations shown may include optional equipment and accessories. The JCB logo is a registered trademark of J C Bamford Excavators Ltd.



9999/5130 11/05 Issue 1

A Product
of Hard Work