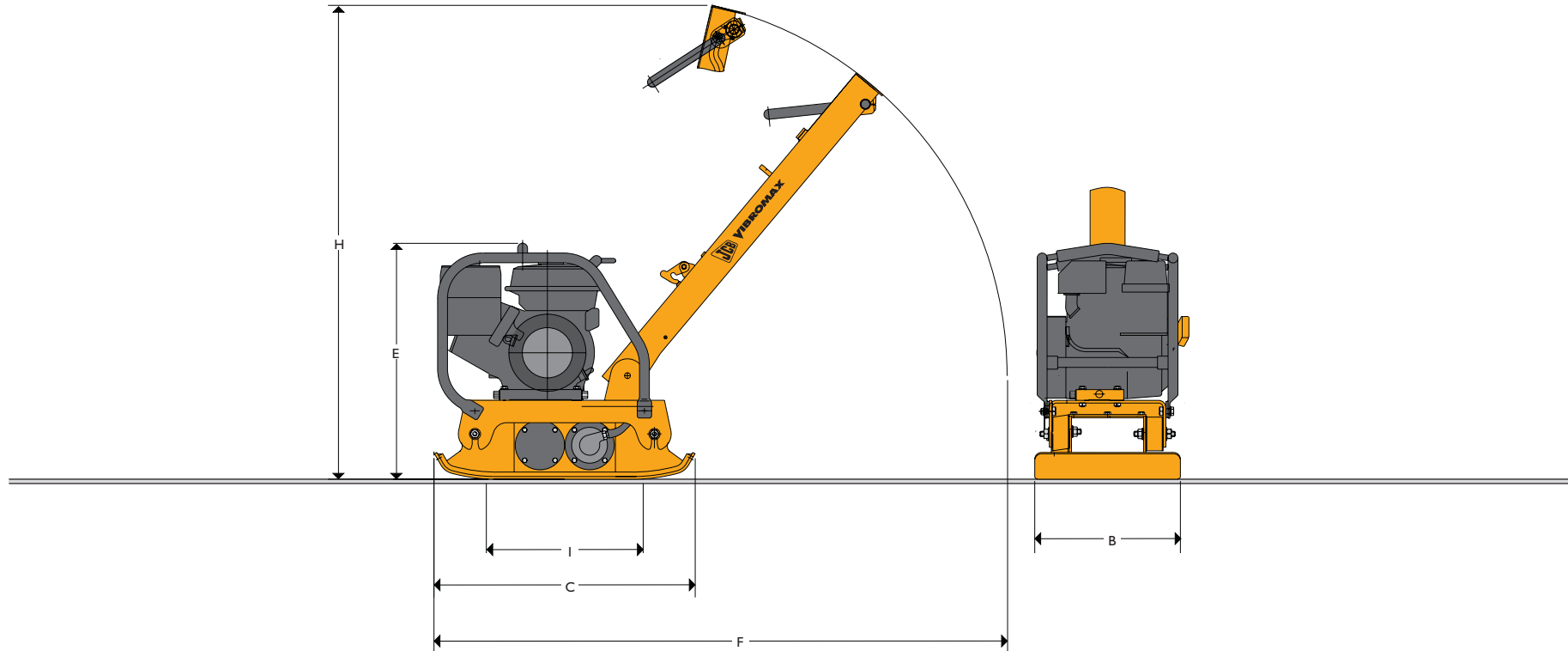




JCB VIBROMAX – COMPACTION EQUIPMENT REVERSIBLE PLATE COMPACTOR VMP8



MAX. PLATE WIDTH: 325mm (12.8in)
MAX. OPERATING WEIGHT: 80kg (176lb)



STATIC DIMENSIONS

Dimensions in millimetres (in)	
B Overall width	325 (12.8)
C Plate length	583 (23)
E Height without guide bar	526 (20.7)
F Total length	1280 (50.4)
H Total clearance	1060 (41.7)
I Contact length	350 (13.8)

OPERATING DATA

Operating weight	kg (lb)	80 (176)
Exciter frequency	Hz (vpm)	100 (6000)
Working width*	cm (in)	32.5 (12.8)
Centrifugal force	kN (lbf)	16 (3597)
Contact area	cm ² (sq in)	1138 (176)
Centrifugal force / contact area	N/cm ² (lbf / sq in)	14.1 (20.4)
Compaction depth up to	cm (in)	35 (13.8)
Working speed forward / reverse max.	m/min (ft/min)	22 (72.2)
Compacted area up to	m ² /h (ft ² /h)	429 (4616)

* Other working widths on request.



JCB VIBROMAX – COMPACTION EQUIPMENT REVERSIBLE PLATE COMPACTOR **VMP8**



ENGINE

Single cylinder, air-cooled, four-stroke gasoline engine.

Make		Honda/Robin
Model		GX 120 Honda / EX 13D Robin
Piston displacement	cm ³ (in ³)	118 (7.2) Honda / 126 (7.7) Robin
Performance – DIN 6271	kW (hp)	2.9 (2.2) Honda / 3.9 (3.0) Robin
Operating speed @ rpm	min ⁻¹	3600
Starting device		Recoil starter
Air cleaner		Dry air cleaner
Fuel filter		Cartridge
Fuel consumption	l/h (US gal/h)	1.0 (0.26)

SERVICE CAPACITIES

Fuel	litres (US gal)	2.5 (0.66) Honda / 2.7 (0.71) Robin
Engine oil (engine)	litres (US gal)	0.5 (0.13) Honda / 0.6 (0.16) Robin
Engine oil (exciter)	litres (US qt)	0.7 (0.74)

PROPULSION

See exciter drive.

EXCITER DRIVE

Centrifugal clutch and V-belt drive.

EXCITER

Twin shaft directional force exciter with active direction infinitely adjustable.



JCB Vibromax Compaction Equipment GmbH, PO Box 230149, 40087 Düsseldorf, Germany, Erkrather Straße 343, 40231 Düsseldorf, Germany. Tel: +49 (0) 2 11 - 9 86 63. Fax: +49 (0) 2 11 - 9 86 65 55. Web: <http://www.jcbvibromax.de>

JCB Vibromax America Inc, 2823 Carlisle-Avenue, Racine, WI, 53404, USA. Tel: +1 262-637-8111. Fax: +1 262-637-8211.

JCB Vibromax Singapore, Representative Office, 72 Pasir Ris Heights, Singapore 519279. Tel: +65 6583 8297. Tel: +65 6583 8301.

JCB cares for the environment. This paper has been produced without the use of elemental chlorine chemicals in the bleaching process.

JCB reserves the right to change specifications without notice. Illustrations shown may include optional equipment and accessories. The JCB logo is a registered trademark of J C Bamford Excavators Ltd.



9999/5131 11/05 Issue 1

A Product
of Hard Work