

Powerscreen[®] Chieftain 400

2 Deck Incline Screen

Specification - Rev 5. 06/06/2011



Specification

		Hopper (with grid) wheel	Hopper (with grid) track
Total weight		11,280kg (24,868 lbs)	13,020kg (28,704 lbs)
Transport	Length	10.2m (33' 6")	10.2m (33' 6")
	Width	2.75m (9' 0")	2.75m (9' 0")
	Height	3.9m (12' 8")	3.2m (10' 6")
Working	Length	11.55m (37' 11")	11.5m (37' 9")
	Width	11.28m (37' 0")	11.35m (37' 3")
	Height	4.69m (15' 5")	4.45m (14' 7")
Screenunit		2.44m x 1.22m (8' x 4')	2.44m x 1.22m (8' x 4')
Powerunit		Diesel / Hydraulic	Diesel / Hydraulic
Plant Colour		RAL 5021	RAL 5021

Features & Benefits

- § High capacity up to 200 tph (depending on feed size, mesh size & material type)
- § Maximum feed size 150mm
- § Engine protection shutdown system
- § Powerunit featuring a transverse engine arrangement to aid access & serviceability
- § Heavy duty single shaft incline screenbox with adjustable stroke, angle & speed
- § Hydraulic screen tensioning (optional)
- § Screen mesh access system for quicker mesh changes
- § Maximum mobility with heavy duty, low ground pressure crawler tracks
- § Removable heavy duty pendant remote control system
- § Quick set up time
- § High performance hydraulic system - cast iron pumps & motors complete with hydraulic cooler
- § Hydraulically folding conveyors for transport
- § Fines conveyor drop down facility to aid bottom deck mesh access

Applications

Aggregate

- § Sand & gravel
- § Blasted rock
- § River rock

Recycling

- § Top soil
- § C&D waste
- § Composted materials
- § Wood by-products
- § Overburden
- § Foundry waste

Mining

- § Processed ores
- § Processed minerals

Abbreviations: T=Track, W=Wheel, Std= Standard, Hyd= Hydraulic, W/O= Without, C/W= Complete with
 EXT= Extended, DDVG= Double deck vibrating grid, Inc= Including, Aux= Auxilliary,
 Conv= Conveyor

All specifications subject to change without prior notice



Powerscreen[®] Chieftain 400

Specification - Rev 5. 06/06/2011

Hopper & Grid

Target area: 3.9m (12' 9") long x 1.75m (5' 8") wide
Grid opening: 2.95m (9' 8") x 1.46m (4' 9")

Grid aperture: 102mm (4")

Grid aperture: 152mm (6") (option)

Hopper capacity: 4.0m³ (5.2 cu. yd.)

Hopper capacity direct feed: 3.2m³ (4.2 cu. yd.)

Adjustable angle tipping grid with integral loading and wing plates

Feed in height: 3.5m (11' 5") with grid Track

Feed in height: 2.82m (9' 3") with out grid Track

Main Conveyor

800mm (32") 3 ply plain belt

7.2m (23' 7") drum centres

286mm (11") drum diameter (drive)

270mm (10") drum diameter (tail)

Fully skirted & sealed

Twin motor direct drive

Variable speed control

Screenbox

2.44m x 1.22m (8' x 4') 2 deck incline screen

Grease filled 4 bearing screenbox

End tensioned decks

Hydraulic screen angle adjustment: 25° - 35°

Hydraulic screen tensioning (optional)

Galvanised maintenance platforms



All specifications subject to change without prior notice



Finesize - Tail Conveyor

1050mm (42") wide 2 ply plain belt
4.8m (15' 9") drum centres
216mm (8.5") drum diameter (drive)
200mm (8") drum diameter (tail)

3.35m (10' 11") stockpile height (to drum centre) T
56m³ (73 cu. yd.) stockpile volume

3.54m (11' 7") stockpile height (to drum centre) W
66m³ (86 cu. yd.) stockpile volume

Hydraulically folding for transport only

Chevron belt as option

Fixed speed

Fixed angle: 24°



Midsize & Oversize - Side Conveyors

650mm (26") wide 3 ply chevron belt
6.40m (21') drum centres
236mm (9") drum diameter (drive)
200mm (8") drum diameter (tail)

3.44m (11' 3") stockpile height (to drum centre) T
61m³ (80 cu. yd.) stockpile volume

3.64m (11' 11") stockpile height (to drum centre) W
72m³ (94 cu. yd.) stockpile volume

Variable speed control on each conveyor

Hydraulic folding

Fixed angle: 24°



Powerscreen[®] Chieftain 400

Specification - Rev 5. 06/06/2011

Powerunit & Hydraulics

Engine:

Deutz 2011 4 cylinder diesel

Performance:

49.4 kW (66.2hp) @ 2300rpm

Tank Capacities:

Fuel: 145 L (37.7 US Gal)

Hydraulic Oil: 500 L (130 US Gal)

Pumps:

Flywheel pump: Cast iron tandem pump 27cc/rev

Motors:

Main conveyor: Cast iron 500cc/rev twin drive

Tail conveyor: Cast iron 400cc/rev

Side conveyors: Cast iron 315cc/rev

Screen: Cast iron 51.8cc/rev



Crawler Track Data

Track width: 500mm

Output torque: 13,149 Nm

Gradability degrees: 23.1°

Gearbox ratio: 1:102.6

Hydraulic motor: 45cc/rev

Approximate speed: 1.2kph (0.75mph)



Transport

Wheels: 235/R17.5 dual wheels

Axle: Approved braking axle

Suspension: Leaf springs

Brakes: Air brakes, (ABS optional)

Mudguards: Plastic type

Lateral Protection: Optional extra

Lights: Optional extra

Other Options

Different coloured machine

Extra coupling facility

TUV

Electric / hydraulic (wheel only)

Powerscreen[®] Chieftain 400

Specification - Rev 5. 06/06/2011

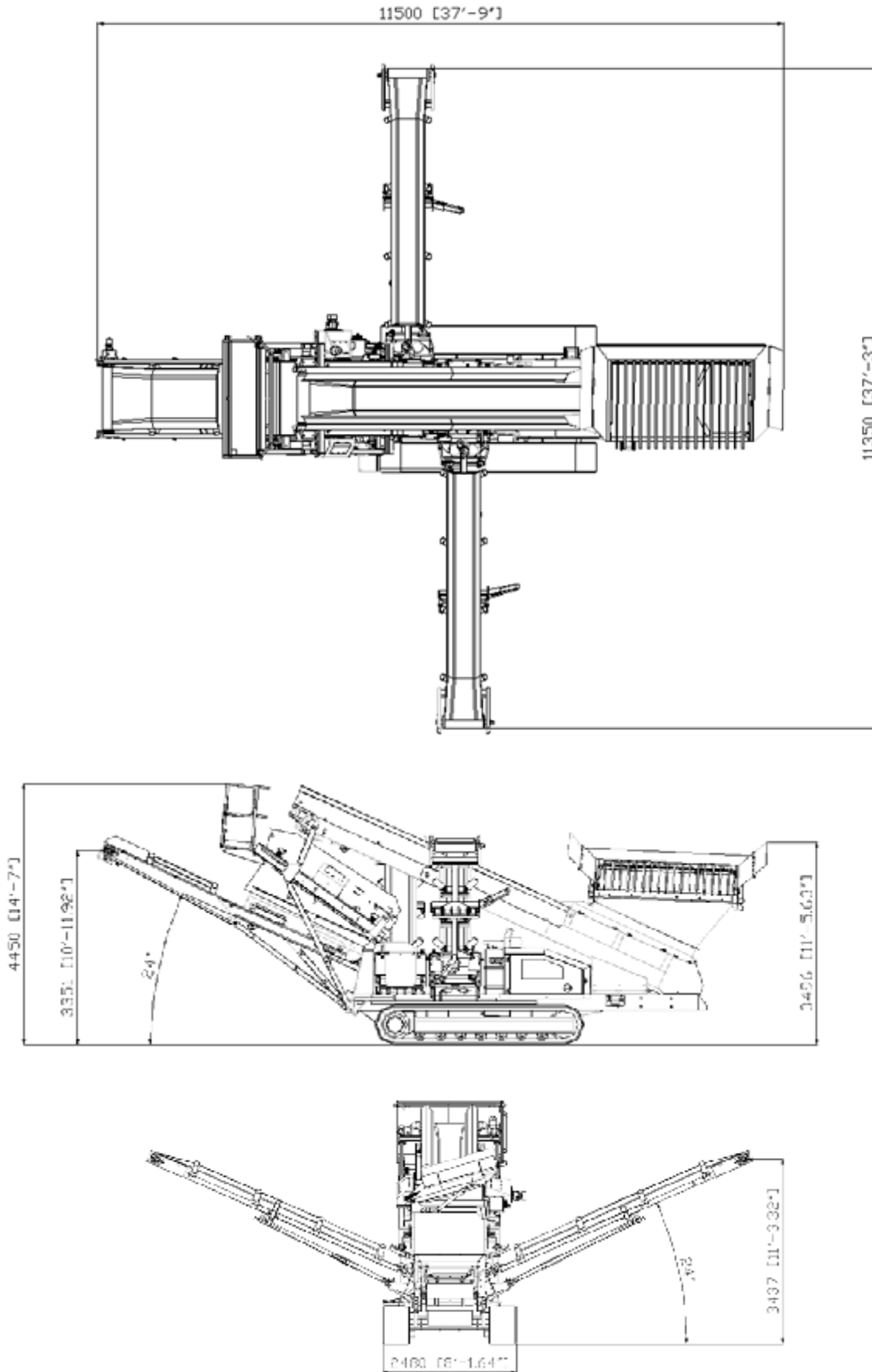


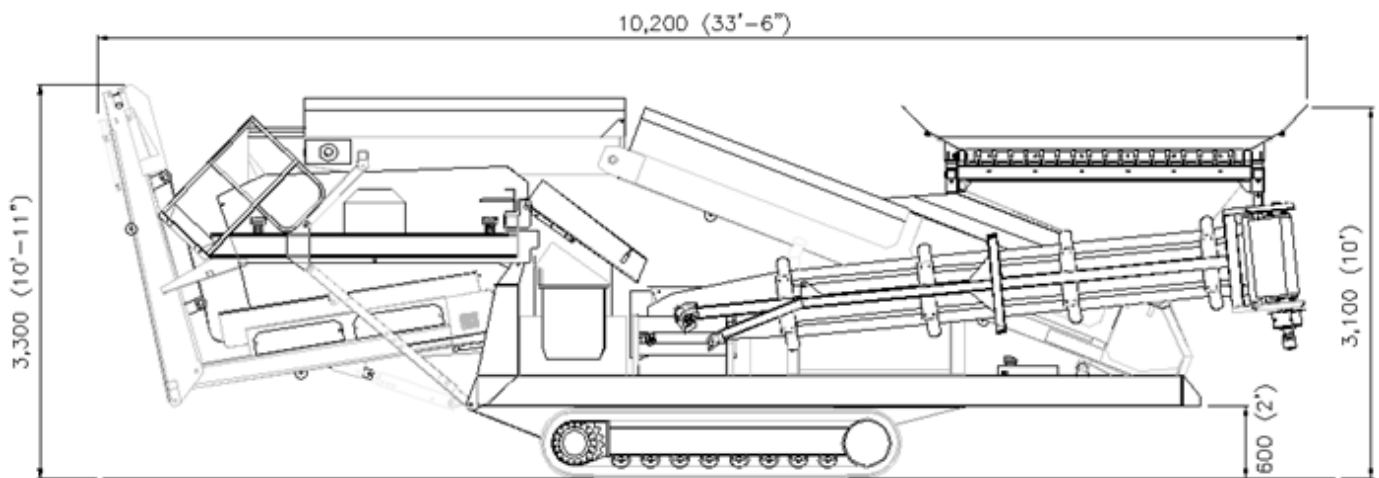
Figure 1: Chieftain 400 2 Deck Track Working Position

All specifications subject to change without prior notice



Powerscreen[®] Chieftain 400

Specification - Rev 5. 06/06/2011



**Figure 2: Chieftain 400 2 Deck Track
Transport Position**

All specifications subject to change without prior notice



Powerscreen[®] Chieftain 400

Specification - Rev 5. 06/06/2011

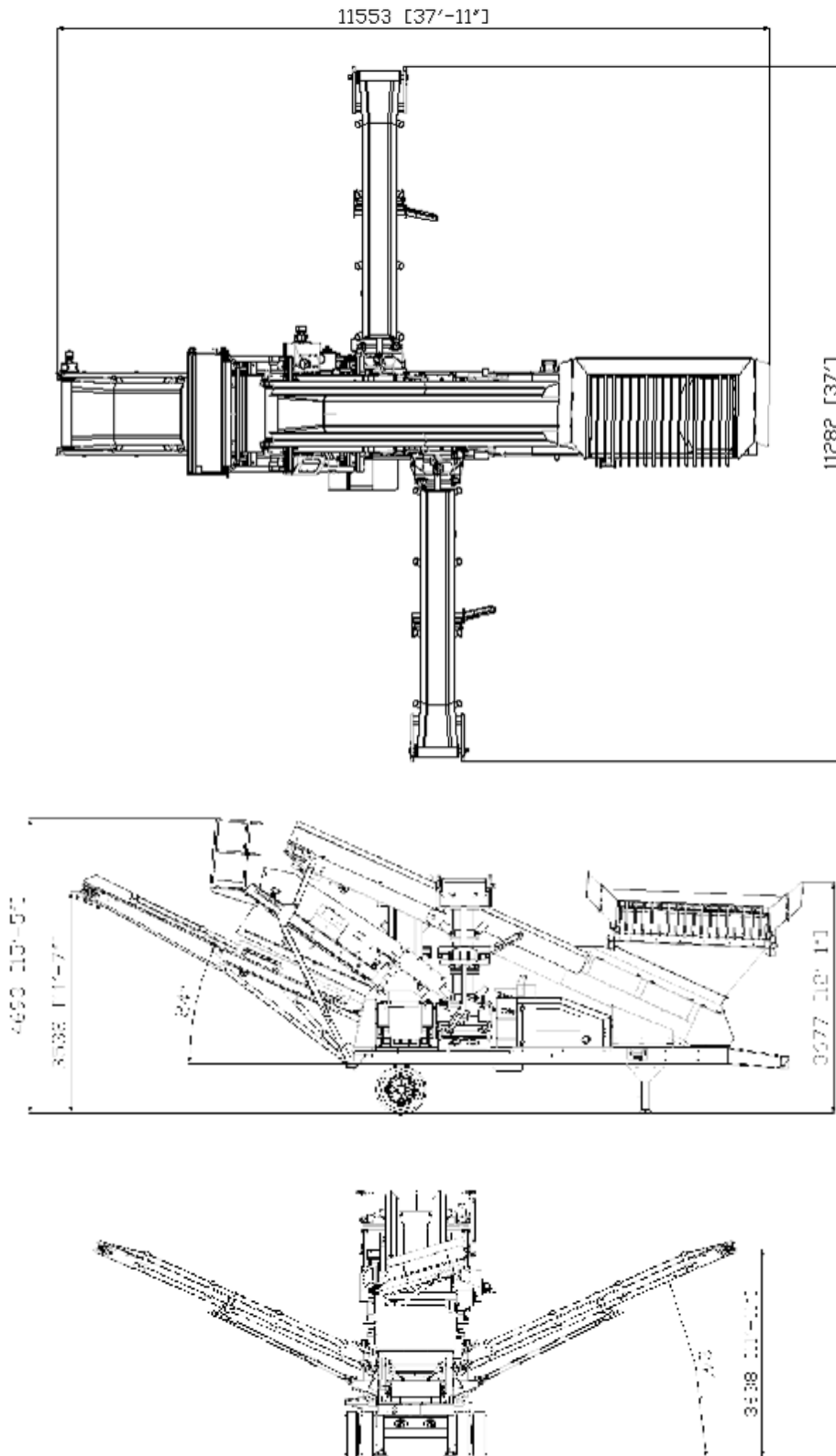


Figure 3: Chieftain 400 2 Deck Wheel Working Position

All specifications subject to change without prior notice



Powerscreen[®] Chieftain 400

Specification - Rev 5. 06/06/2011



Powerscreen equipment complies with CE requirements.

Please consult Powerscreen if you have any other specific requirements in respect of guarding, noise or vibration levels, dust emissions, or any other factors relevant to health and safety measures or environmental protection needs. On receipt of specific requests, we will endeavour to ascertain the need for additional equipment and, if appropriate, quote extra to contract prices.

All reasonable steps have been taken to ensure the accuracy of this publication, however due to a policy of continual product development we reserve the right to change specifications without notice.

It is the importers' responsibility to check that all equipment supplied complies with local legislation regulatory requirements.

Plant performance figures given in this brochure are for illustration purposes only and will vary depending upon various factors, including feed material gradings and characteristics. Information relating to capacity or performance contained within this publication is not intended to be, nor will be, legally binding.

Terex GB Ltd.
200 Coalisland Road
Dungannon
Co. Tyrone
Northern Ireland
BT71 4DR

Tel: +44(0) 28 8774 0701
Fax: +44(0) 28 8774 6569

E-Mail: sales@powerscreen.com
Web: www.powerscreen.com

Terex is a registered trademark of Terex Corporation in the United States of America and many other countries.
Powerscreen is a registered trademark of Terex GB Ltd in the United States of America and many other countries.

Copyright Terex Corporation 2011.

All specifications subject to change without prior notice

